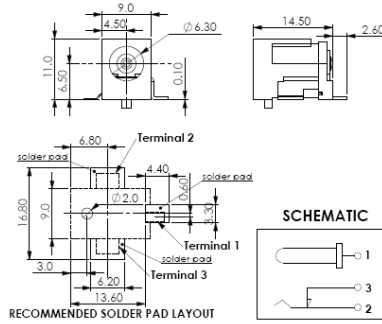
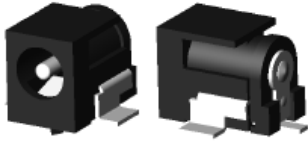


DC POWER CONNECTORS

CH-061D20

2.1 X 5.5 DC SOCKET SMD TYPE

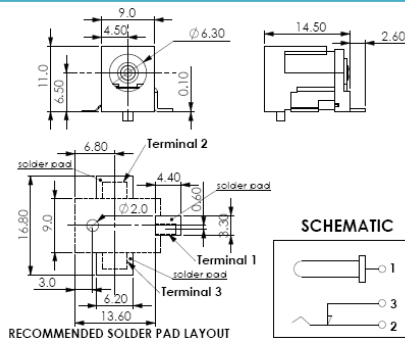
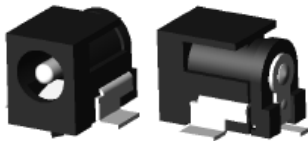


SPECIFICATION :

rating : 16V DC 2.5A MAX
 contact resistance :
 50mΩ MAX
 insulation resistance :
 MIN 50MΩ at 500V DC
 voltage withstand :
 500V AC, 1 minute

CH-061D25

2.5 X 5.5 DC SOCKET SMD TYPE

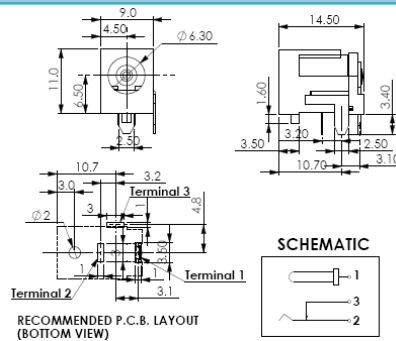
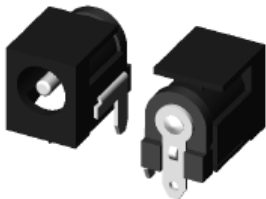


SPECIFICATION :

rating : 16V DC 2.5A MAX
 contact resistance :
 50mΩ MAX
 insulation resistance :
 MIN 50MΩ at 500V DC
 voltage withstand :
 500V AC, 1 minute

CH-06120

2.1 X 5.5 DC SOCKET DIP TYPE

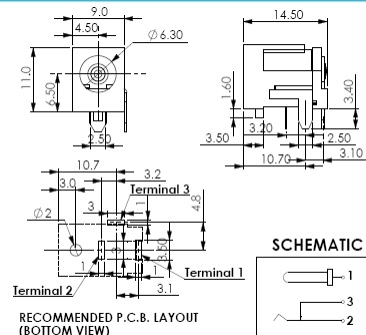
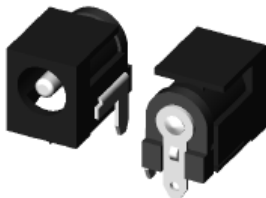


SPECIFICATION :

rating : 16V DC 2.5A MAX
 contact resistance :
 50mΩ MAX
 insulation resistance :
 MIN 50MΩ at 500V DC
 voltage withstand :
 500V AC, 1 minute

CH-06125

2.5 X 5.5 DC SOCKET DIP TYPE



SPECIFICATION :

rating : 16V DC 2.5A MAX
 contact resistance :
 50mΩ MAX
 insulation resistance :
 MIN 50MΩ at 500V DC
 voltage withstand :
 500V AC, 1 minute